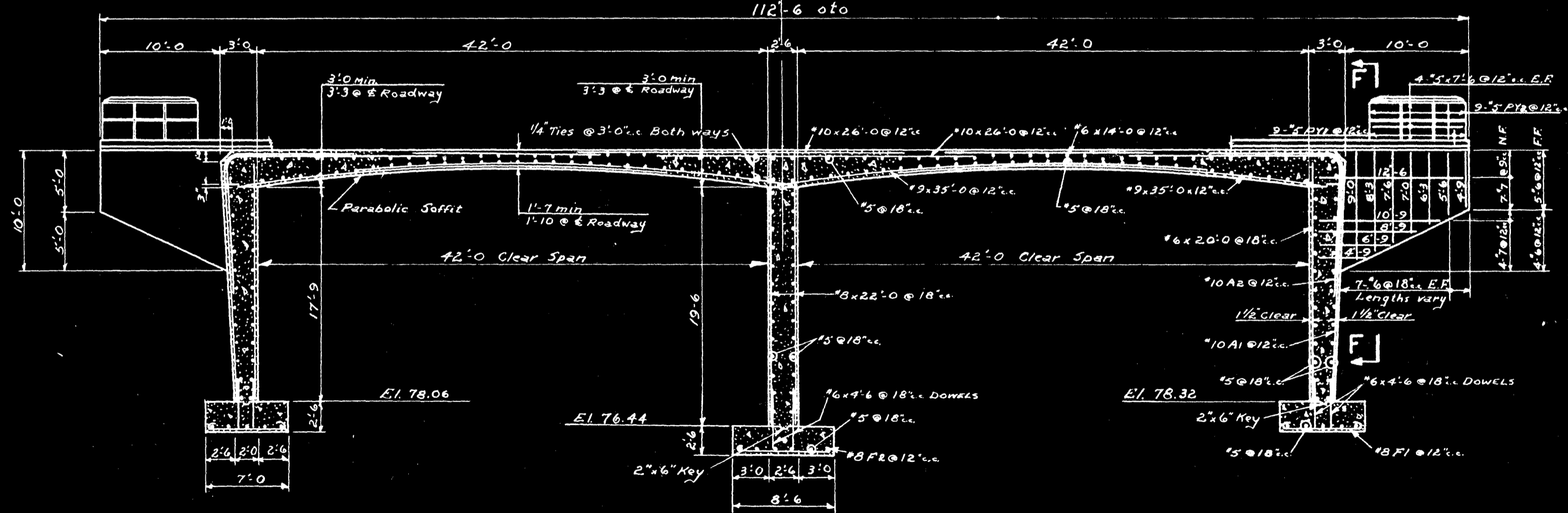


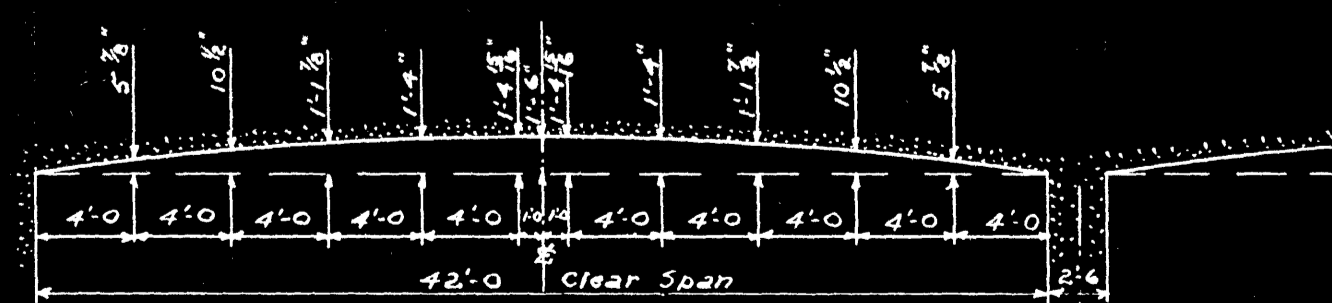
**PLAN**

Scale 1/8" = 1'-0"



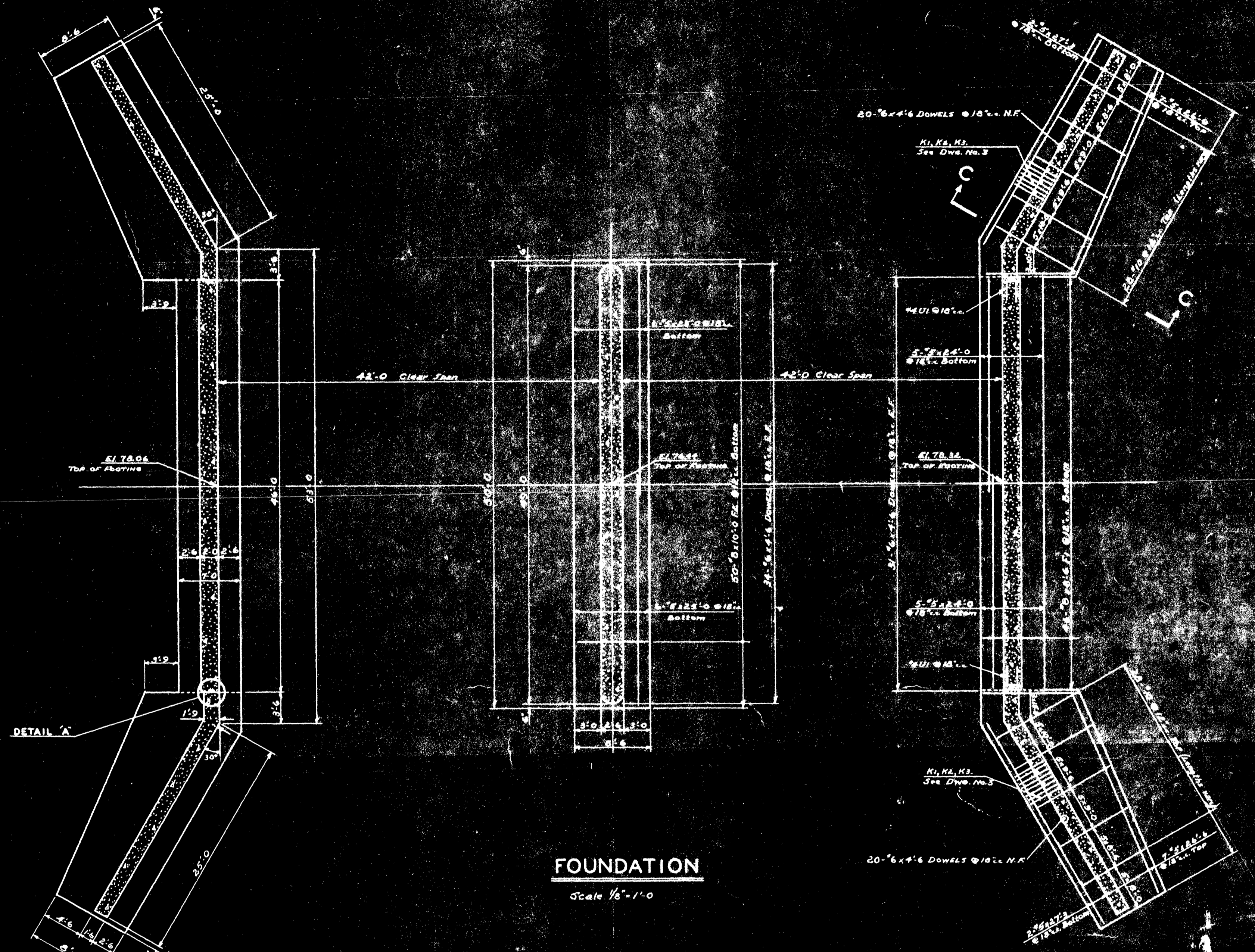
**ELEVATION**

Scale 1/8" = 1'-0"



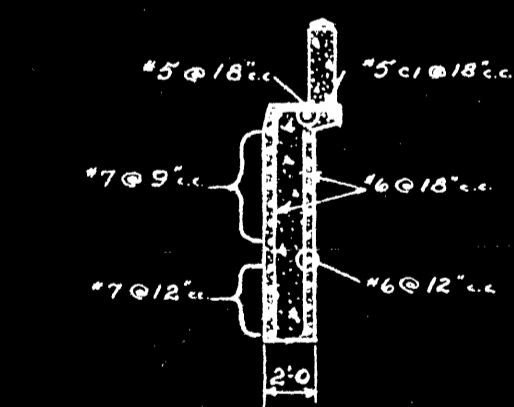
**SOFFIT DIAGRAM**

Scale 1/8" = 1'-0"



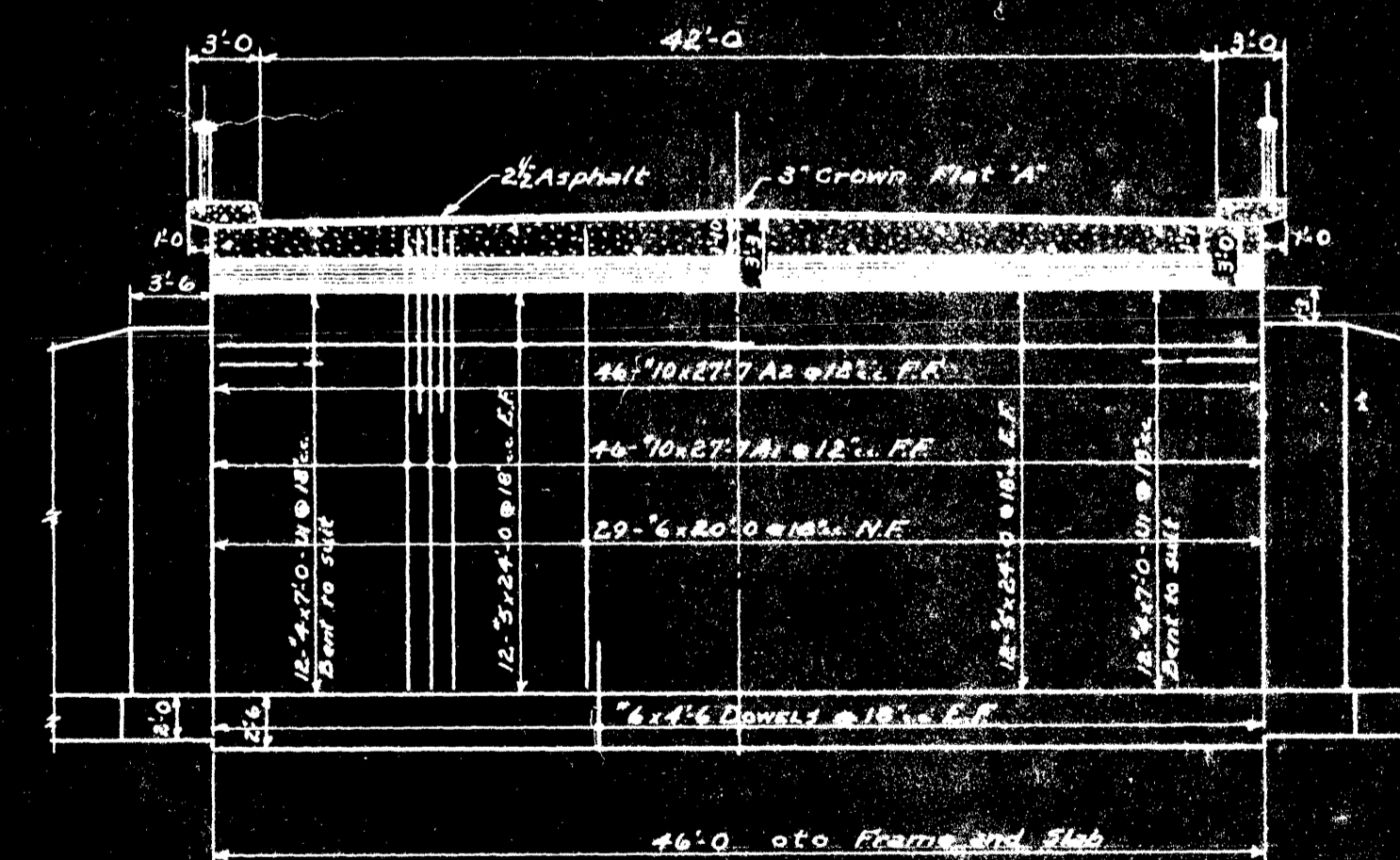
**FOUNDATION**

Scale 1/8" = 1'-0"



**SECTION F-F**

Scale 1/8" = 1'-0"



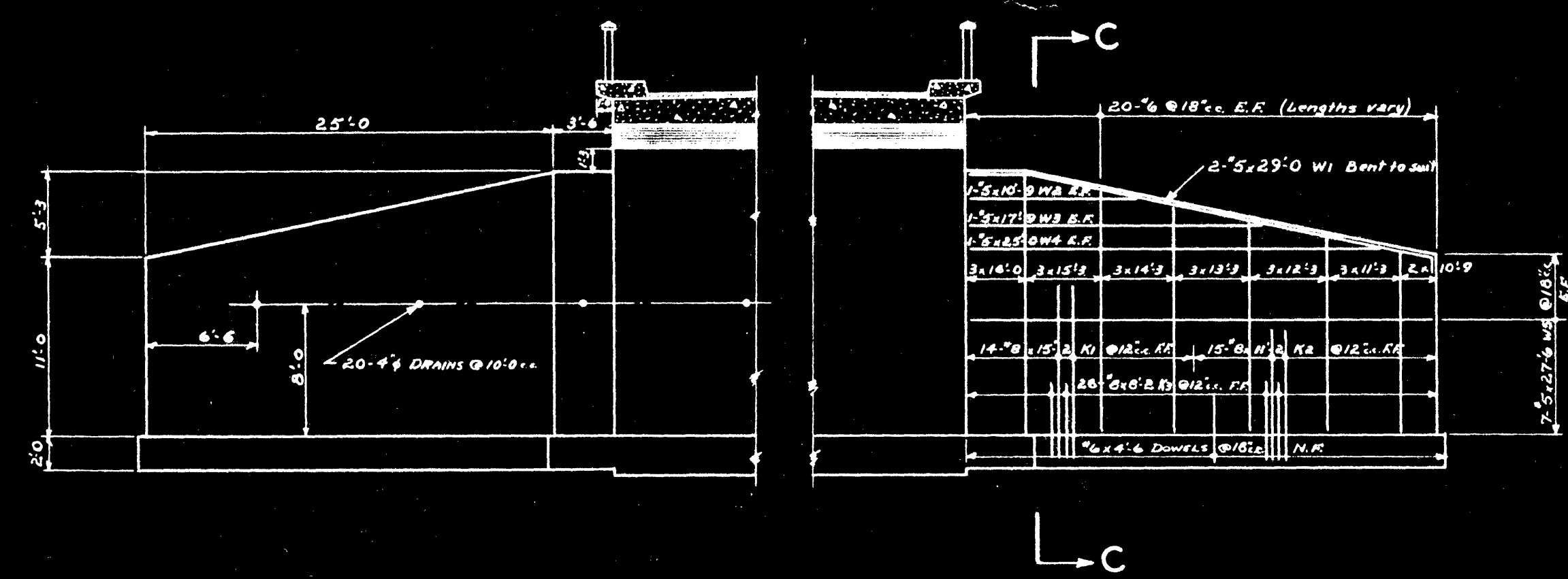
**SECTION B-B**

Scale 1/8" = 1'-0"

**NOTE**

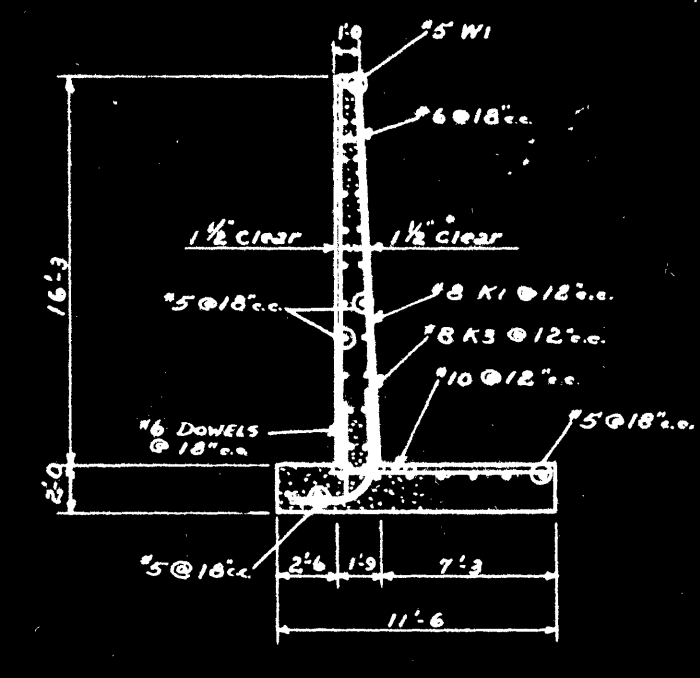
See Draw No. 3 for further details. See Sections B-D, C-C, D-D, E-E, and Detail A.

REVISIONS		DATE
DEPARTMENT OF PUBLIC WORKS		
CANADA		
DEVELOPMENT - ENGINEERING BRANCH		
STRUCTURES DIVISION		
POBOKTAN CREEK BRIDGE		
JASPER NATIONAL PARK		
<b>FRAME - REINFORCING</b>		
JOB SUPERVISOR	J.C. BEAUCHAMP	DESIGN J.C. BEAUCHAMP
APPROVED	DATE 2/3/56	DRAWN J.A.M.
CHIEF STRUCTURES DIVISION		CHECKED G.L.
APPROVED		PROJECT NO. NP 9-28-23
DATE 2/3/56		SHEET 2 OF 4
CHIEF ENGINEER		



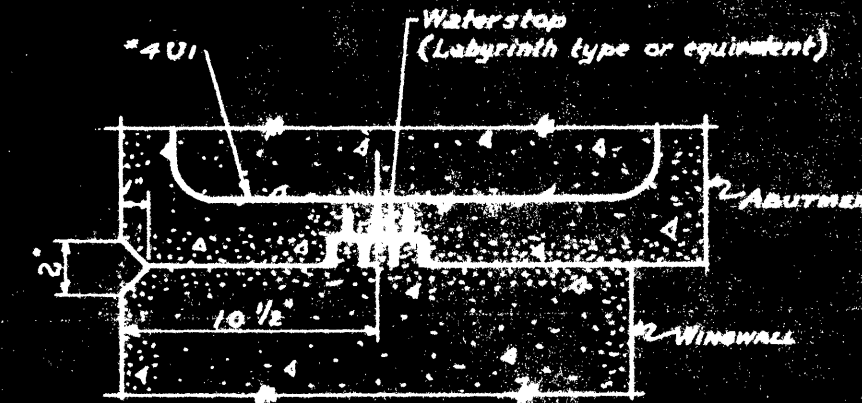
SECTION B-B

Scale 1/8"=1'-0"



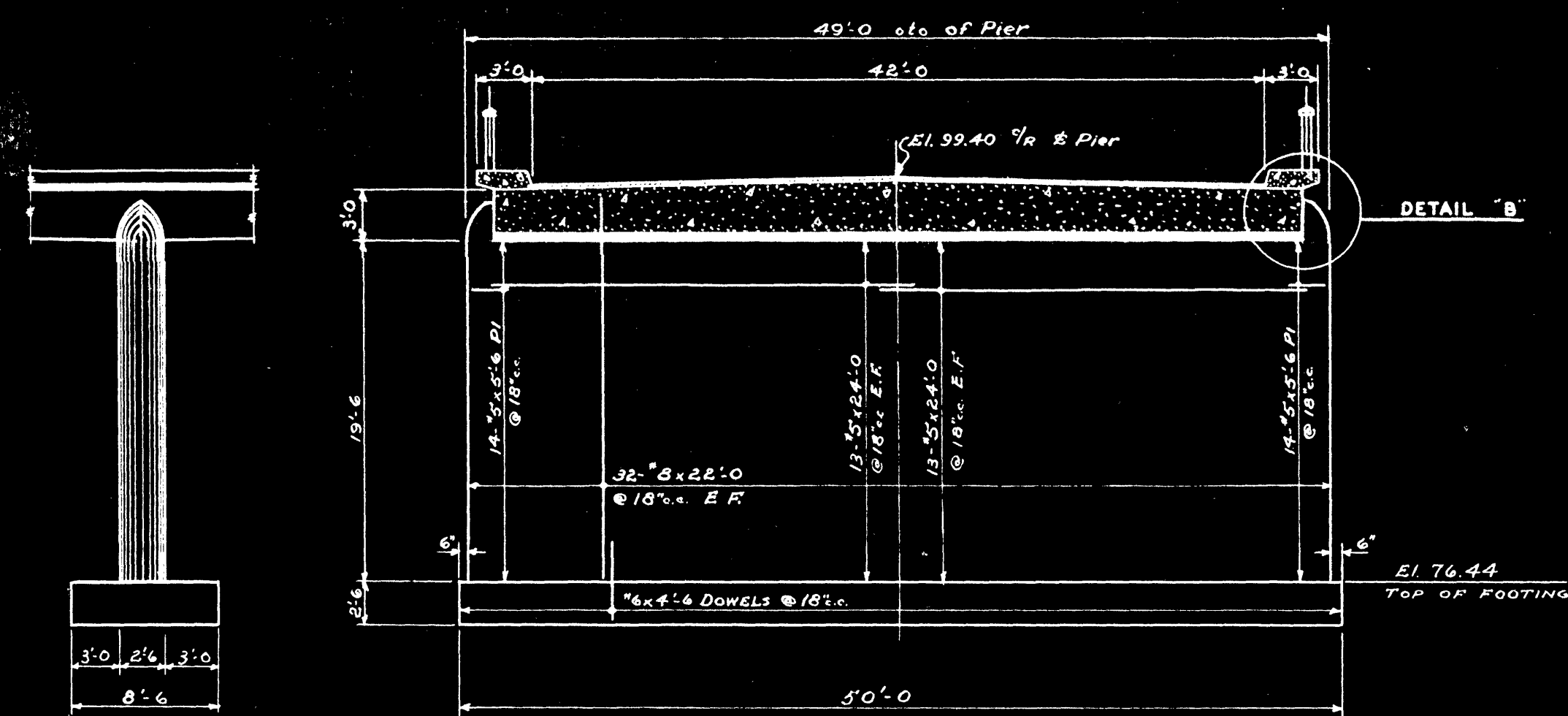
SECTION C-C

Scale 1/8"=1'-0"



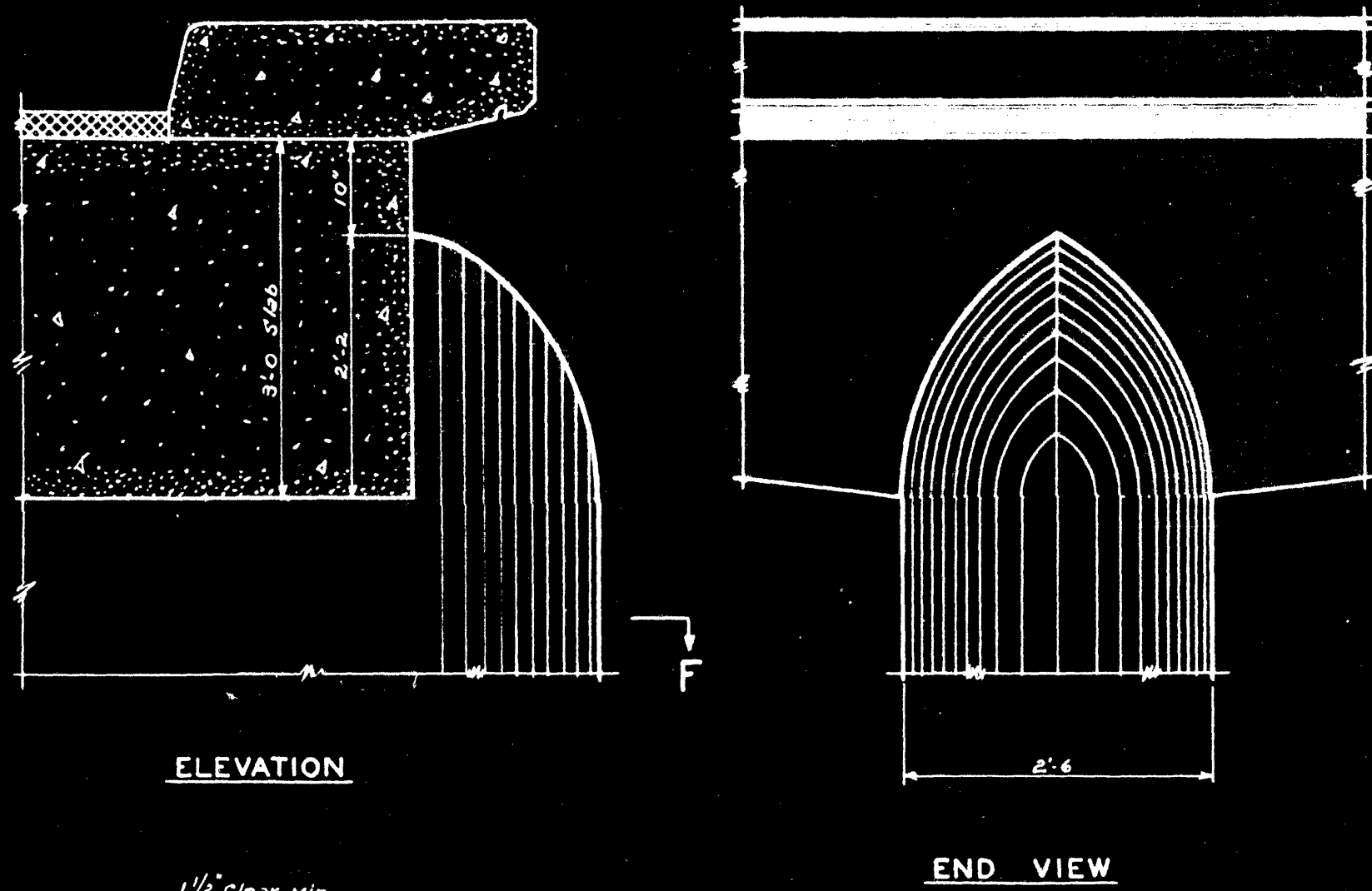
DETAIL A  
JOINT IN WINGWALL

Scale 1/2"=1'-0"



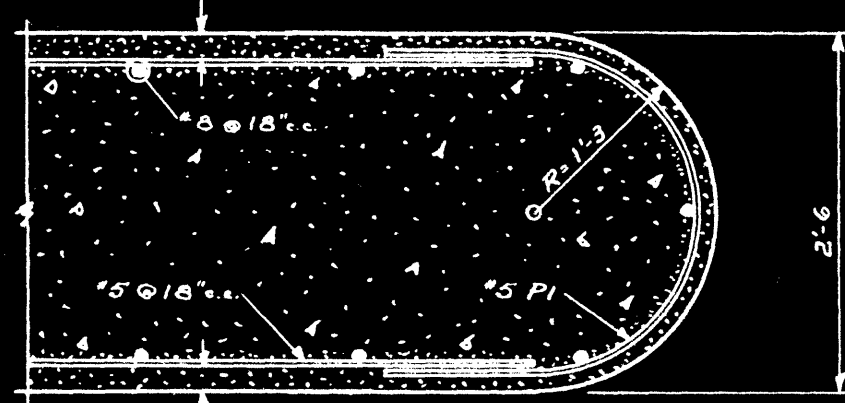
ELEVATION

Scale 1/8"=1'-0"



ELEVATION

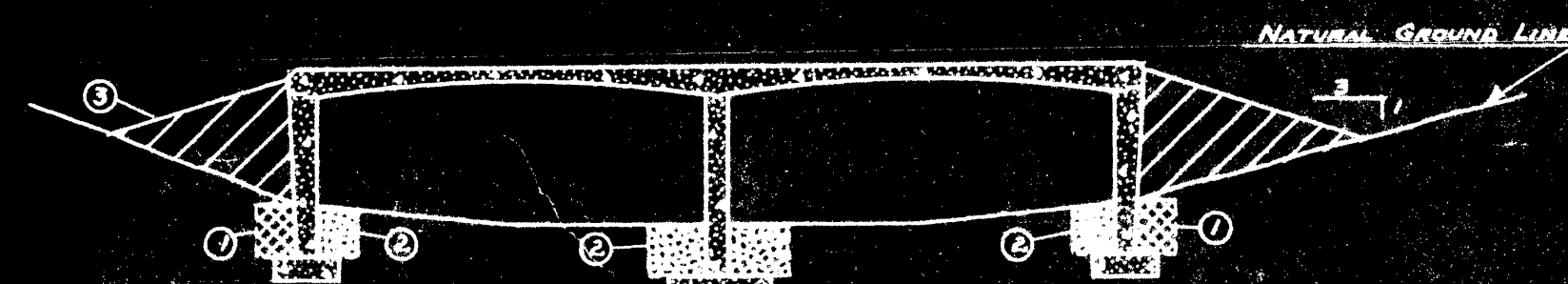
END VIEW



SECTION F-F

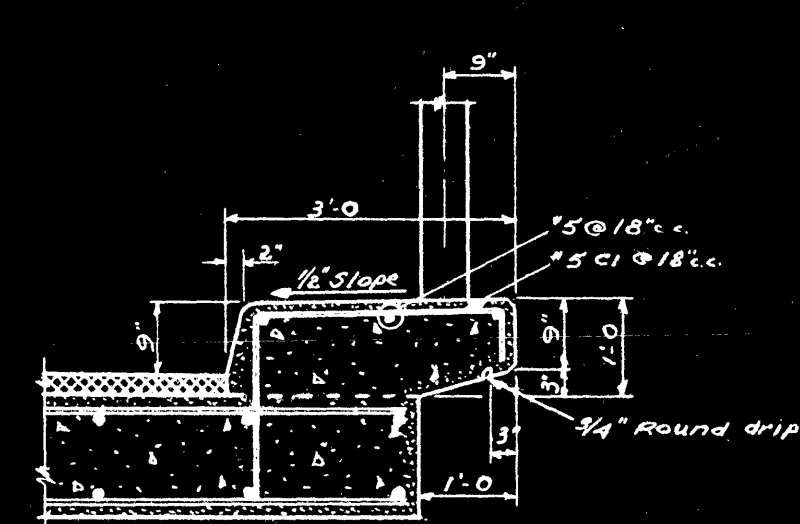
DETAIL B

Scale 3/8"=1'-0"



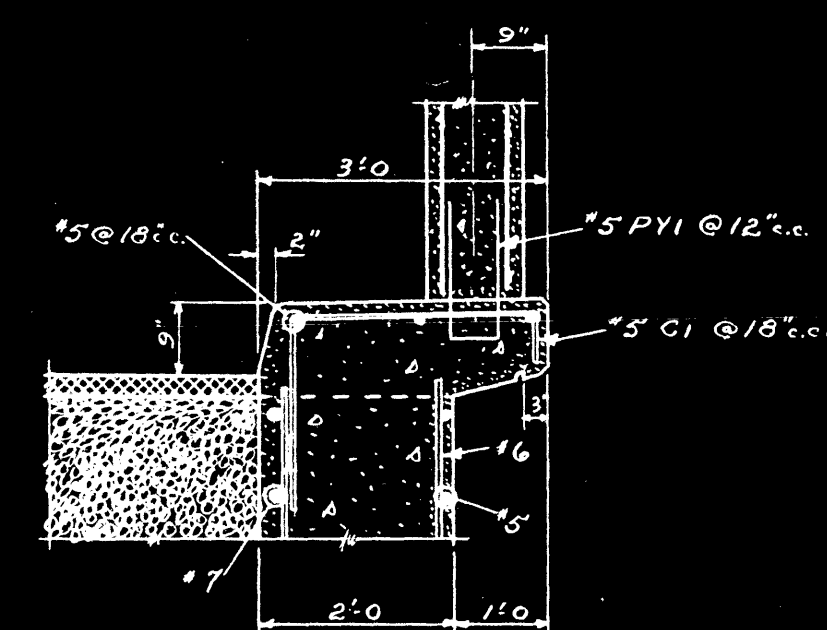
BACKFILL DIAGRAM

Scale 1"=20'-0"



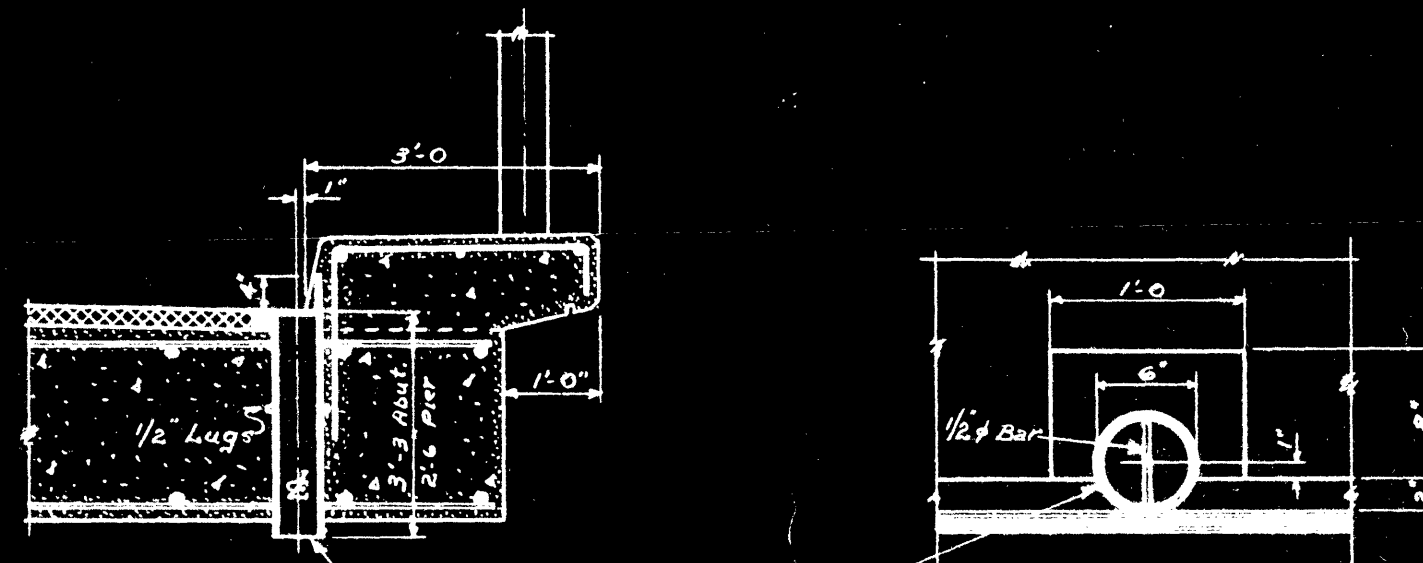
SECTION D-D

Scale 1/8"=1'-0"



SECTION E-E

Scale 1/8"=1'-0"

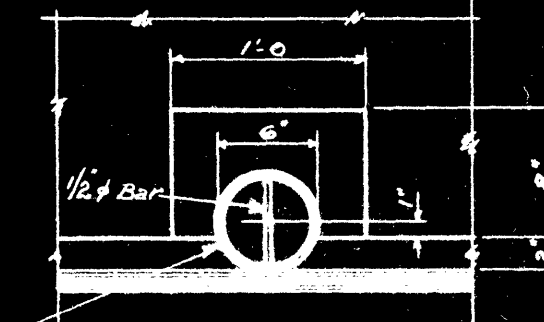


SECTION

Scale 1/2"=1'-0"

DRAIN

Total No. Reinf. 9



PLAN

Scale 1"=1'-0"

CURB PANEL JOINT

Scale 1/4" Full size

LOCATION	CU. YDS. CONC.	LBS. REINF.	STRAIGHT BARS			BENT BARS			BENDING DIAGRAMS	
			NO.	SIZE	LENGTH	NO.	SIZE	LENGTH	MARK	ALL DIMENSIONS ARE OUT TO OUT
FRAME, PIER, CANTILEVER	750	79,550	1	10	27'-7"	1	10	27'-7"	AI	
			2	10	27'-7"	2	10	27'-7"	AI	
			3	10	27'-7"	3	10	27'-7"	AI	
			4	10	27'-7"	4	10	27'-7"	AI	
			5	10	27'-7"	5	10	27'-7"	AI	
			6	10	27'-7"	6	10	27'-7"	AI	
			7	10	27'-7"	7	10	27'-7"	AI	
			8	10	27'-7"	8	10	27'-7"	AI	
			9	10	27'-7"	9	10	27'-7"	AI	
			10	10	27'-7"	10	10	27'-7"	AI	
CURB & Pylon	2,170	19,080	11	10	27'-7"	11	10	27'-7"	AI	
			12	10	27'-7"	12	10	27'-7"	AI	
			13	10	27'-7"	13	10	27'-7"	AI	
			14	10	27'-7"	14	10	27'-7"	AI	
			15	10	27'-7"	15	10	27'-7"	AI	
			16	10	27'-7"	16	10	27'-7"	AI	
			17	10	27'-7"	17	10	27'-7"	AI	
			18	10	27'-7"	18	10	27'-7"	AI	
			19	10	27'-7"	19	10	27'-7"	AI	
			20	10	27'-7"	20	10	27'-7"	AI	
WINGWALLS	160	19,080	21	10	27'-7"	21	10	27'-7"	AI	
			22	10	27'-7"	22	10	27'-7"	AI	
			23	10	27'-7"	23	10	27'-7"	AI	
			24	10	27'-7"	24	10	27'-7"	AI	
			25	10	27'-7"	25	10	27'-7"	AI	
			26	10	27'-7"	26	10	27'-7"	AI	
			27	10	27'-7"	27	10	27'-7"	AI	
			28	10	27'-7"	28	10	27'-7"	AI	
			29	10	27'-7"	29	10	27'-7"	AI	
			30	10	27'-7"	30	10	27'-7"	AI	

REVISIONS	DATE

DEPARTMENT OF PUBLIC WORKS  
CANADA  
DEVELOPMENT ENGINEERING BRANCH  
STRUCTURES DIVISION

POBOKTAN CREEK BRIDGE  
JASPER NATIONAL PARK

PIERS, WINGWALLS  
STEEL SCHEDULE

JOB SUPERVISOR J.C. BEAUCHAMP	DESIGN J.C. BEAUCHAMP
APPROVED DATE 2/3/56	DRAWN J.A.M.
CHEF STRUCTURES DIVISION	CHECKED G.L.
APPROVED DATE 2/3/56	PROJECT NO. NP 9-28-23
CHIEF ENGINEER	SHEET 3 OF 4

