



RETURN BIDS TO:

RETOURNER LES SOUMISSIONS À:

NWR_PROCUREMENT_BIDS@RCMP-GRC.GC.CA

**STANDARD REQUEST FOR BID
INVITATION À SOUMISSIONNER - STANDARD**

The Bidder offers to provide to Canada the goods, services or both listed in the bid solicitation in accordance with the conditions set out in the bid solicitation and the prices set out in the bid.

This bid solicitation is issued in accordance with the conditions of the Supply Arrangement E60PQ-120001/H

Le soumissionnaire offre de fournir au Canada les biens, services ou les deux énumérés dans la demande de soumissions aux conditions prévues dans la demande de soumissions et aux prix indiqués dans la soumission.

Cette demande de soumissions est émise conformément aux conditions de l'arrangement en matière d'approvisionnement E60PQ-120001/H.

Solicitation No. - N° de la demande M5000-24-0027/A	Amendment No. - N° de modification
--	---

Solicitation closes – La demande prend fin : at – à 14.00 CST. on – le 2023-08-10	File No. - N° de dossier
--	---------------------------------

1	No of Page/ N° de page	26
Date of Solicitation – Date de la demande 2023-07-28		
Address inquiries to – Adresser toute demande de renseignement à : Shailesh Rajgor at shaileshkumar.rajgor@rcmp-grc.gc.ca		
Destination See Annex B Voir Annexe B		
Instructions: Municipal taxes are not applicable. Unless otherwise specified in the bid solicitation, all prices quoted must be net prices in Canadian funds including Canadian customs duties, excise taxes, must be FOB, including all delivery charges to destination(s) as indicated. The amount for Applicable Taxes is to be shown as a separate item. Instructions: Les taxes municipales ne s'appliquent pas. Sauf indication contraire dans la demande de soumissions, tous les prix indiqués doivent être des prix nets, en dollars canadiens, comprenant les droits de douane canadiens, la taxe d'accise et doivent être FAB, y compris tous frais de livraison à la (aux) destination(s) indiqué(s). Le montant des taxes applicables doit apparaître séparément.		
Supplier Name and Address – Nom et adresse du fournisseur Telephone No. - N° de téléphone Facsimile No. - N° de télécopieur		
Name and title of person authorized to sign on behalf of supplier (type or print) Nom et titre de la personne autorisée à signer au nom du fournisseur (caractère d'impression)		
Signature : _____ Date : _____		

TABLE OF CONTENTS

PART 1 - GENERAL INFORMATION	2
1.1 SECURITY REQUIREMENTS	2
1.2 REQUIREMENT	2
1.3 GENERAL OR PROCUREMENT STRATEGY FOR INDIGENOUS BUSINESS (PSIB)	2
1.4 DEBRIEFINGS	2
PART 2 - BIDDER INSTRUCTIONS	3
2.1 STANDARD INSTRUCTIONS, CLAUSES AND CONDITIONS	3
2.2 SUBMISSION OF BIDS	3
2.3 ENQUIRIES - BID SOLICITATION	3
2.4 APPLICABLE LAWS	4
2.5 BID CHALLENGE AND RECOURSE MECHANISMS	4
PART 3 - BID PREPARATION INSTRUCTIONS	5
3.1 BID PREPARATION INSTRUCTIONS	5
PART 4 - EVALUATION PROCEDURES AND BASIS OF SELECTION	7
4.1 EVALUATION PROCEDURES	7
4.2 BASIS OF SELECTION	7
PART 5 – CERTIFICATIONS AND ADDITIONAL INFORMATION	8
5.1 CERTIFICATIONS REQUIRED WITH THE BID	8
5.2 CERTIFICATIONS PRECEDENT TO CONTRACT AWARD AND ADDITIONAL INFORMATION	8
5.2.1 FEDERAL CONTRACTORS PROGRAM FOR EMPLOYMENT EQUITY - BID CERTIFICATION	9
5.2.2 ADDITIONAL CERTIFICATIONS PRECEDENT TO CONTRACT AWARD	ERROR! BOOKMARK NOT DEFINED.
PART 6 - RESULTING CONTRACT CLAUSES	10
6.1 SECURITY REQUIREMENTS	10
6.2 REQUIREMENT	10
6.3 STANDARD CLAUSES AND CONDITIONS	10
6.3.1 GENERAL CONDITIONS	10
6.4 TERM OF CONTRACT	13
6.5 AUTHORITIES	13
6.6 PAYMENT	14
6.7 INVOICING INSTRUCTIONS	15
6.8 CERTIFICATIONS AND ADDITIONAL INFORMATION	15
6.9 APPLICABLE LAWS	15
6.10 PRIORITY OF DOCUMENTS	15
6.11 ACCESS TO FACILITIES AND EQUIPMENT	15
6.12 CANADA'S FACILITIES TO ACCOMMODATE THE DELIVERY	16
6.13 STANDARD FINISHES	16
6.14 SACC MANUAL CLAUSES	16
ANNEX A	17
REQUIREMENT	17
ANNEX B	19
BASIS OF PAYMENT	19

PART 1 - GENERAL INFORMATION

1.1 Security Requirements

There is no security associated with this requirement.

1.2 Requirement

This solicitation is issued pursuant to the Supplier's Furniture for Office Seating Supply Arrangement (SA) that forms part of the series of SAs issued by PWGSC with the number E60PQ-120001/H. The terms and conditions in the Supplier's SA apply to and form part of this solicitation. Bidders who submit a bid agree to be bound by those terms and conditions as well as the terms and conditions in this solicitation.

The requirement is detailed under Annex A of the resulting contract clauses.

1.3 Procurement Strategy for Indigenous Business (PSIB)

PSIB Stream Procurement

This procurement is set aside under the federal government Procurement Strategy for Indigenous Business. For more information on Aboriginal business requirements of the Set-aside Program for Indigenous Business, refer to [Annex 9.4](#) of the Supply Manual.

1.4 Debriefings

Bidders may request a debriefing on the results of the bid solicitation process. Bidders should make the request to the Contracting Authority within 15 working days from receipt of the results of the bid solicitation process. The debriefing may be in writing, by telephone or in person.

PART 2 - BIDDER INSTRUCTIONS

2.1 Standard Instructions, Clauses and Conditions

All instructions, clauses and conditions identified in the bid solicitation by number, date and title are set out in the [Standard Acquisition Clauses and Conditions Manual](https://buyandsell.gc.ca/policy-and-guidelines/standard-acquisition-clauses-and-conditions-manual) (https://buyandsell.gc.ca/policy-and-guidelines/standard-acquisition-clauses-and-conditions-manual) issued by Public Works and Government Services Canada.

Bidders who submit a bid agree to be bound by the instructions, clauses and conditions of the bid solicitation and accept the clauses and conditions of the resulting contract.

The [2003](#) (2023-06-08) Standard Instructions - Goods or Services - Competitive Requirements, are incorporated by reference into and form part of the bid solicitation.

Subsection 5.4 of [2003](#), Standard Instructions - Goods or Services - Competitive Requirements, is amended as follows:

Delete: 60 days
Insert: **90** days

Subsection 3.a) of Section 01, Integrity Provisions - Bid of the Standard Instructions [2003](#) incorporated by reference above is deleted in its entirety and replaced with the following:

- a. at the time of submitting an arrangement under the Request for Supply Arrangements (RFSAs), the Bidder has already provided a list of names, as requested under the [Ineligibility and Suspension Policy](#). During this procurement process, the Bidder must immediately inform Canada in writing of any changes affecting the list of names.

2.2 Submission of Bids

Bids must be submitted only to the RCMP Bid Receiving Unit by e-mail only at nwr_procurement_bids@rcmp-grc.gc.ca by **2023-08-10 at 14.00 CST**

NOTE: The RCMP has not been approved for bid submission by e-post Connect service.

Due to the nature of the bid solicitation, bids transmitted by facsimile or hard copy to RCMP will not be accepted.

2.3 Enquiries - Bid Solicitation

All enquiries must be submitted in writing to the Contracting Authority no later than 3 days calendar days before the bid closing date. Enquiries received after that time may not be answered.

Bidders should reference as accurately as possible the numbered item of the bid solicitation to which the enquiry relates. Care should be taken by Bidders to explain each question in sufficient detail in order to enable Canada to provide an accurate answer. Technical enquiries that are of a proprietary nature must be clearly marked "proprietary" at each relevant item. Items identified as "proprietary" will be treated as such, except where Canada determines that the enquiry is not of a proprietary nature. Canada may edit the question(s) or may request that the Bidder do so, so that the proprietary nature of the question(s) is eliminated, and the enquiry can be answered to all Bidders. Enquiries not submitted in a form that can be distributed to all Bidders may not be answered by Canada.

2.4 Applicable Laws

Any resulting contract must be interpreted and governed, and the relations between the parties determined, by the laws in force in Ontario.

Bidders may, at their discretion, substitute the applicable laws of a Canadian province or territory of their choice without affecting the validity of their bid, by deleting the name of the Canadian province or territory specified and inserting the name of the Canadian province or territory of their choice. If no change is made, it acknowledges that the applicable laws specified are acceptable to the Bidders.

2.5 Bid Challenge and Recourse Mechanisms

- (a) Several mechanisms are available to potential suppliers to challenge aspects of the procurement process up to and including contract award.
- (b) Canada encourages suppliers to first bring their concerns to the attention of the Contracting Authority. Canada's [Buy and Sell](#) website, under the heading "[Bid Challenge and Recourse Mechanisms](#)" contains information on potential complaint bodies such as:
 - Office of the Procurement Ombudsman (OPO)
 - Canadian International Trade Tribunal (CITT)
 - (a) Suppliers should note that there are **strict deadlines** for filing complaints, and the time periods vary depending on the complaint body in question. Suppliers should therefore act quickly when they want to challenge any aspect of the procurement process.

PART 3 - BID PREPARATION INSTRUCTIONS

3.1 Bid Preparation Instructions

Canada requests that the Bidder submit its complete **email** bid in separately saved and attached sections as follows:

Section I: Technical Bid (one soft copy in PDF format)

Section II: Financial Bid (one soft copy in PDF format)

Section III: Certifications (one soft copy in PDF format)

Important Note:

For bids transmitted by email, Canada will not be responsible for any failure attributable to the transmission or receipt of the bid including, but not limited to, the following:

- a. receipt of garbled or incomplete bid;
- b. delay in transmission or receipt of the bid to the Contracting Authority's email inbox (the date & time on the email received by the Contracting Authority is considered the date & time of receipt of the bid submission);
- c. availability or condition of the receiving equipment;
- d. incompatibility between the sending and receiving equipment;
- e. failure of the Bidder to properly identify the bid;
- f. illegibility of the bid; or
- g. Security of bid data.

A bid transmitted electronically constitutes the formal bid of the Bidder and must be submitted in accordance with **Section 05 of 2003 (2023-06-08)** Standard Instructions - Goods or Services - Competitive Requirements.

The RCMP has restrictions on incoming e-mail messages. The maximum e-mail message size including all file attachments must not exceed 5MB. Zip files or links to bid documents will not be accepted. Incoming e-mail messages exceeding the maximum file size and/or containing zip file attachments will be blocked from entering the RCMP e-mail system. A bid transmitted by e-mail that gets blocked by the RCMP e-mail system will be considered not received. It is the responsibility of the Bidder to ensure receipt.

Prices must appear in the financial bid only. No prices must be indicated in any other section of the bid.

Canada requests that bidders follow the format instructions described below in the preparation of their hard copy bid:

- a) use 8.5 x 11 inch (216 mm x 279 mm) paper;
- b) use a numbering system that corresponds to the bid solicitation.

In April 2006, Canada issued a policy directing federal departments and agencies to take the necessary steps to incorporate environmental considerations into the procurement process [Policy](#)

on Green Procurement (<https://www.tbs-sct.gc.ca/pol/doc-eng.aspx?id=32573>). To assist Canada in reaching its objectives, bidders should:

1. Include all environmental certification(s) relevant to your organization (e.g. ISO 14001, Leadership in Energy and Environmental Design (LEED), Carbon Disclosure Project, etc.)
2. Include all environmental certification(s) or Environmental Product Declaration(s) (EPD) specific to your product/service (e.g. Forest Stewardship Council (FSC), ENERGYSTAR, etc.)
3. Unless otherwise noted, bidders are encouraged to submit bids electronically. If hard copies are required, bidders should:
 - a. use 8.5 x 11 inch (216 mm x 279 mm) paper containing fibre certified as originating from a sustainably-managed forest and containing minimum 30% recycled content; and
 - b. use an environmentally-preferable format including black and white printing instead of colour printing, printing double sided/duplex, using staples or clips instead of cerlox, duotangs or binders.

Section I: Technical Bid

In their technical bid, Bidders should explain and demonstrate how they propose to meet the requirements and how they will carry out the Work

Section II: Financial Bid

Bidders must submit their financial bid in accordance with Annex –B Basis of Payment.

3.1.1 Exchange Rate Fluctuation

C3011T (2013-11-06), Exchange Rate Fluctuation.

Section III: Certifications and Additional Information

Bidders must submit the certifications and additional information required under Part 5.

PART 4 - EVALUATION PROCEDURES AND BASIS OF SELECTION

4.1 Evaluation Procedures

- (a) Bids will be assessed in accordance with the entire requirement of the bid solicitation including the technical and financial evaluation criteria.
- (b) An evaluation team composed of representatives of Canada will evaluate the bids.

4.1.1 Technical Evaluation

4.1.1.1 Mandatory Technical Evaluation Criteria

Mandatory Technical Criteria (MTC)		
Criteria #		MET/ NOT MET & COMMENTS
MTC 1	<p>The Bidder must provide detailed chair specifications as described at Annex A of this solicitation.</p> <p>To demonstrate compliance with MTC 1, the Bidder must submit detailed description of products.</p> <p>Any printed materials, pictures of soft copies submitted must be readable by Canada.</p>	

4.1.2 Financial Evaluation

SACC Manual Clause [A0220T](#) (2014-06-26), Evaluation of Price-Bid

4.2 Basis of Selection

A bid must comply with the requirements of the bid solicitation and meet all mandatory technical evaluation criteria to be declared responsive. The responsive bid with the lowest evaluated price will be recommended for award of a contract.

PART 5 – CERTIFICATIONS AND ADDITIONAL INFORMATION

Bidders must provide the required certifications and additional information to be awarded a contract.

The certifications provided by Bidders to Canada are subject to verification by Canada at all times. Unless specified otherwise, Canada will declare a bid non-responsive, or will declare a contractor in default if any certification made by the Bidder is found to be untrue whether made knowingly or unknowingly, during the bid evaluation period or during the contract period.

The Contracting Authority will have the right to ask for additional information to verify the Bidder's certifications. Failure to comply and to cooperate with any request or requirement imposed by the Contracting Authority will render the bid non-responsive or constitute a default under the Contract.

5.1 Certifications Required with the Bid

Bidders must submit the following duly completed certifications as part of their bid.

5.1.1 Integrity Provisions - Additional Information

Integrity checks were performed on each Supplier at time of issuance of their respective Supply Arrangement (SA). By submitting a bid, the Bidder certifies that the Bidder and its Affiliates are in compliance with the provisions as stated in Section 01 Integrity Provisions - Bid of Standard Instructions listed above.

5.1.2 Product Conformance

By submitting a bid, the Bidder certifies that all goods proposed conform, and will continue to conform throughout the period of the contract, to the requirement detailed under Annex A and to the Specifications of the series of SAs issued by PWGSC with the number E60PQ-120001/H

5.1.3 Continuance of Certifications

The Bidder certifies that by submitting a bid in response to this solicitation, the Bidder, and any of the Bidder's members if the Bidder is a Joint Venture, continues to comply with all of the certifications submitted with its arrangement to become qualified as part of the series of SAs issued by PWGSC with the number E60PQ-120001/H

5.2 Certifications Precedent to Contract Award and Additional Information

The certifications and additional information listed below should be submitted with the bid, but may be submitted afterwards. If any of these required certifications or additional information is not completed and submitted as requested, the Contracting Authority will inform the Bidder of a time frame within which to provide the information. Failure to provide the certifications or the additional information listed below within the time frame provided will render the bid non-responsive.

5.2.1 Federal Contractors Program for Employment Equity - Bid Certification

By submitting a bid, the Bidder certifies that the Bidder, and any of the Bidder's members if the Bidder is a Joint Venture, is not named on the Federal Contractors Program (FCP) for employment equity "FCP Limited Eligibility to Bid" list available at the bottom of the page of the [Employment and Social Development Canada \(ESDC\) - Labour's](https://www.canada.ca/en/employment-social-development/canada-esdc-labour/s website) website (<https://www.canada.ca/en/employment-social-development/programs/employment-equity/federal-contractor-program.html#>).

Canada will have the right to declare a bid non-responsive if the Bidder, or any member of the Bidder if the Bidder is a Joint Venture, appears on the "FCP Limited Eligibility to Bid" list at the time of contract award.

PART 6 - RESULTING CONTRACT CLAUSES

The following clauses and conditions apply to and form part of any contract resulting from the bid solicitation.

6.1 Security Requirements

6.1.1 There is no security requirement applicable to the Contract.

Contractor may be escorted; possession of security clearance not required.

Contractor personnel MAY NOT ENTER NOR PERFORM WORK ON sites where PROTECTED or CLASSIFIED information or assets are kept, without an escort provided by the department or agency for which the work is being performed.

6.2 Requirement

6.2.1 The Contractor must provide office seating in accordance with the Requirement at Annex A.

This contract is issued against the Supplier's Furniture for Office Seating Supply Arrangement (SA) that forms part of the series of SAs issued by PWGSC with the number E60PQ-120001/H. The terms and conditions in the Supplier's SA apply to and form part of this contract.

6.2.2 This requirement is a:

PSIB Stream

6.3 Standard Clauses and Conditions

All clauses and conditions identified in the Contract by number, date and title are set out in the [Standard Acquisition Clauses and Conditions Manual](https://buyandsell.gc.ca/policy-and-guidelines/standard-acquisition-clauses-and-conditions-manual) (https://buyandsell.gc.ca/policy-and-guidelines/standard-acquisition-clauses-and-conditions-manual) issued by Public Works and Government Services Canada.

6.3.1 General Conditions

[2010A](#) (2022-12-01) General Conditions - Goods (Medium Complexity), apply to and form part of the Contract.

Section 09 - Warranty, is amended as follows:

At Sub-section 1.

Deleted:	"The warranty period will be 12 months."
Inserted:	"The warranty period will be 10 years with the exception of user adjustable components, which will have a warranty of 5 years."

At Sub-section 2.

Deleted:	In its entirety
Inserted:	as follows: 2. The Contractor must pay the transportation cost associated with returning the Work or any part of the Work to the Contractor's plant for replacement, repair or making good. The Contractor must also pay the transportation cost associated with forwarding the replacement or returning the Work or part of the Work when rectified to the delivery point specified in the Contract or to another location as directed by Canada. If, in the opinion of Canada, it is not expedient to remove the Work from its location, the Contractor must carry out any necessary repair or

making good of the Work at that location. In such cases, the Contractor will be responsible for all Costs (including travel and living expenses) incurred in so doing, Canada will not reimburse these Costs."
All other provisions of the warranty section remain in effect.

Section 16 - Interest on Overdue Accounts

This provision will not apply to payments made by credit card at point of sale. This provision does not apply to Suppliers whose SAs do not include the provision for payment by credit card.

Section 32 entitled Anti-forced labour requirements is added to general conditions 2010A:

1. The Contractor represents and warrants that the Work is not mined, manufactured or produced wholly or in part by forced labour. Regardless of who acts as an importer, the Contractor must not during the performance of the Contract, directly or indirectly, deliver Work to Canada or import Work into Canada the importation of which is prohibited pursuant to ss. 136(1) of the *Customs Tariff Act* and tariff item No. 9897.00.00 of the *Customs Tariff – Schedule* (as amended from time to time), because it is mined, manufactured or produced wholly or in part by forced labour.
2. If a tariff classification determination is made under the *Customs Act* that the importation of the Work, or any part of the Work, is prohibited, the Contractor must immediately inform the Contracting Authority in writing. Canada may terminate the Contract for default in accordance with section 2010A 23 - Default by the Contractor if the Work or any part of the Work is classified under tariff item no. 9897.00.00 of the *Customs Tariff – Schedule* as mined, manufactured or produced wholly or in part by forced labour. If the Contractor is aware that the Work, or any part of the Work, is being or has been investigated regarding whether it is prohibited from entry pursuant to tariff item No. 9897.00.00, the Contractor must immediately inform the Contracting Authority in writing of that investigation.
3. Canada may terminate the Contract for default in accordance with section 2010A 23 - Default by the Contractor if it has reasonable grounds to believe the Work was mined, manufactured or produced in whole or in part by forced labour or linked to human trafficking. Reasonable grounds for making such a determination may include:
 - a. Findings or Withhold Release Orders issued by the United States Customs and Border Protection, under the US *Trade Facilitation and Trade Enforcement Act* (TFTEA) of 2015; or
 - b. Credible evidence from a reliable source, including but not limited to non-governmental organizations.
4. Canada may terminate the Contract for default in accordance with section 2010A 23 - Default by the Contractor if the Contractor has, in the past three years, been convicted of any of the following offences under the *Criminal Code* or the *Immigration and Refugee Protection Act*:
 - i. section 279.01 (Trafficking in persons);
 - ii. section 279.011 (Trafficking of a person under the age of eighteen years);
 - iii. subsection 279.02(1) (Material benefit - trafficking);
 - iv. subsection 279.02(2) (Material benefit - trafficking of person under 18 years);
 - v. subsection 279.03(1) (Withholding or destroying documents - trafficking);
 - vi. subsection 279.03(2) (Withholding or destroying documents - trafficking of person under 18 years); or
 - vii. section 118 (Trafficking in persons).
5. Canada may terminate the Contract for default in accordance with section 2010A 23 - Default by the Contractor if the Contractor has, in the past three years, been convicted of an offence in a jurisdiction other than Canada that, in Canada's opinion, is similar to any of the offences identified in paragraphs 4(i) to (vii).
6. For purposes of determining whether a foreign offence is similar to a listed offence, PWGSC will take into account the following factors:
 - i. in the case of a conviction, whether the court acted within its jurisdiction;
 - ii. whether the supplier was afforded the right to appear during the court's proceedings or to submit to the court's jurisdiction;

- iii. whether the court's decision was obtained by fraud; or
 - iv. whether the supplier was entitled to present to the court every defence that the supplier would have been entitled to present had the proceeding been tried in Canada.
7. Where Canada intends to terminate the Contract under this section, Canada will inform the Contractor and provide the Contractor an opportunity to make written representations before making a final decision. Written representations must be submitted within 30 days from receiving a notice of concern unless Canada establishes a different deadline.

6.4 Term of Contract

6.4.1 Period of the Contract

The period of the Contract is from date of Contract to the completion and acceptance of the Work.

6.4.2 Delivery Date

All the deliverables must be received as indicated at Annex B.

Standard Lead-time is between 6-10 weeks for furniture delivery and installation.

6.4.3 Shipping Instructions

Goods must be delivered DDP (Destination as specified in contract) Incoterms® rules, Applicable Taxes extra.

In addition to the above, the Contractor is to unload and move the goods to the delivery location(s) specified in the contract.

6.4.4 Delivery and Installation Points Location(s)

Delivery and Installation of the requirement will be made at the point(s) specified at Annex B of the Contract.

The Project Authority (PA) will provide the Supplier the authority to proceed prior to the finalized delivery and installation date taking into consideration the delivery and installation time provided by the Supplier. Canada will not be responsible if the Supplier chooses to proceed without the PA authorization.

6.5 Authorities

6.5.1 Contracting Authority

The Contracting Authority for the Contract is:

Name: Shailesh Rajgor
Title: Procurement Officer
Department: RCMP K Division
Address: 10065- Jasper Avenue. Edmonton, Alberta T5J 3B1

Telephone: 780-670-8554
E-mail address: Shaileshkumar.rajgor@rcmp-grc.gc.ca

The Contracting Authority is responsible for the management of the Contract and any changes to the Contract must be authorized in writing by the Contracting Authority. The Contractor must not perform work in excess of or outside the scope of the Contract based on verbal or written requests or instructions from anybody other than the Contracting Authority.

6.5.2 Project Authority

The Project Authority for the Contract is: *(to be completed at contract award)*

Name: _____
Title: _____
Organization: _____
Address: _____

Telephone: _____
E-mail address: _____

The Project Authority is the representative of the department or agency for whom the Work is being carried out under the Contract including the provision to approve the authority to proceed for delivery and installation and is responsible for all matters concerning the technical content of the Work under the Contract. Technical matters may be discussed with the Project Authority, however the Project Authority has no authority to authorize changes to the scope of the Work. Changes to the scope of the Work can only be made through a contract amendment issued by the Contracting Authority.

In addition, the PA is also responsible for ensuring that the Supplier's employees and subcontractors requiring access to the site adhere to the allocated time for the Supplier to access the site to deliver and install the furniture in accordance with the master schedule held by the General Contractor (a representative of Canada or a service provider(s) under contract with the Government of Canada).

6.5.3 Contractor's Representative

The Contractors Representative for the Contract is: *(to be completed at contract award)*

Name: _____
Title: _____

Telephone: _____
E-mail address: _____

6.6 Payment

6.6.1 Basis of Payment

In consideration of the Contractor satisfactorily completing all of its obligations under the Contract, the Contractor will be paid _____ (*insert "a firm price" OR "firm unit price(s)" OR "firm lot price(s)", as specified in Annex B – Basis of Payment, for a cost of \$_____ (to be filled in only at contract award)*). Customs duties are included and Applicable Taxes are extra.

Canada will not pay the Contractor for any design changes, modifications or interpretations of the Work, unless they have been approved, in writing, by the Contracting Authority before their incorporation into the Work.

6.6.2 Method of Payment

SACC Manual clause H1000C (2008-05-12) Single Payment

6.7 Invoicing Instructions

The Contractor must submit invoices in accordance with the section entitled "Invoice Submission" of the general conditions.

Invoices must be distributed as follows:

- a. The original and one (1) copy must be forwarded to the project authority for certification and payment.
- b. One (1) copy must be forwarded to the Contracting Authority identified under the section entitled "Authorities" of the Contract.

6.8 Certifications and Additional Information

6.8.1 Compliance

Unless specified otherwise, the continuous compliance with the certifications provided by the Contractor in its bid or precedent to contract award, and the ongoing cooperation in providing additional information are conditions of the Contract and failure to comply will constitute the Contractor in default. Certifications are subject to verification by Canada during the entire period of the Contract.

6.9 Applicable Laws

The Contract must be interpreted and governed, and the relations between the parties determined, by the laws in force in *[to be completed at contract award]*.

6.10 Priority of Documents

If there is a discrepancy between the wording of any documents that appear on the list, the wording of the document that first appears on the list has priority over the wording of any document that subsequently appears on the list.

- (a) the Articles of Agreement of the SA E60PQ-120001;
- (b) the Articles of this Agreement;
- (c) the general conditions 2010A (2022-12-01) – General Conditions: Goods (Medium Complexity);
- (d) Annex A, Requirement;
- (e) Annex B, Basis of Payment;
- (h) the Contractor's bid dated _____ (*insert date of bid*) (*If the bid was clarified or amended, insert at the time of contract award: “, as clarified on _____” or “, as amended on _____” and insert date(s) of clarification(s) or amendment(s)*).

6.11 Access to Facilities and Equipment

Canada's facilities, equipment, documentation and personnel are not automatically at the disposal of the Contractor. If access to government premises, computer systems (micro computer network), working space, telephones, terminals, documentation and personnel for consultation is required by the Contractor to perform the Work, the Contractor must advise the Contracting Authority of the need for such access in a timely fashion. If the Contractor's request for access is approved by Canada and arrangements are made to provide access to the Contractor, the Contractor, its subcontractors, agents and employees must

comply with all the conditions applicable at the Work site. The Contractor must further ensure that the facilities and equipment are used solely for the performance of the Contract.

6.12 Canada's Facilities to Accommodate the Delivery

The Supplier's employees and subcontractors requiring access to the site must adhere to the health and safety plans established for the site, in addition to any laws in effect in the jurisdiction where the work is being performed.

During the period of the contract, a representative of Canada or a service provider(s) under contract with the Government of Canada may request the list of employees and subcontractors requiring access to the site to perform the work and their security statuses. Information must be provided in the timeframe prescribed in order to ensure that the supply, delivery and installation of the furniture aligns with the master schedule

6.13 Standard finishes

The Identified User (IU) will consult the Supplier's Website identified in Part 6A of the SA to view the available finishes.

Within ten business days of the contract award, the Project Authority will provide the Contractor with a written notice of Canada's finish choices for each of the product(s) in Annex A.

The Contractor will deliver the products corresponding to Canada's choice of specific finishes(s). No additional charge will be applied to Canada.

6.14 SACC Manual Clauses

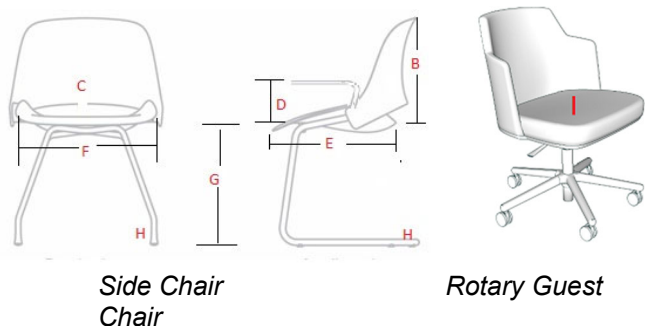
SACC Manual clause [B7500C](#) (2006-06-16), Excess Goods
SACC Manual clause [A9068C](#) (2010-01-11), Government Site Regulations
SACC Manual clause [G1005C](#) (2016-01-28), Insurance - No Specific Requirement

ANNEX - A - REQUIREMENTS.

OFFICEFURNITURE

SA PROGRAMS

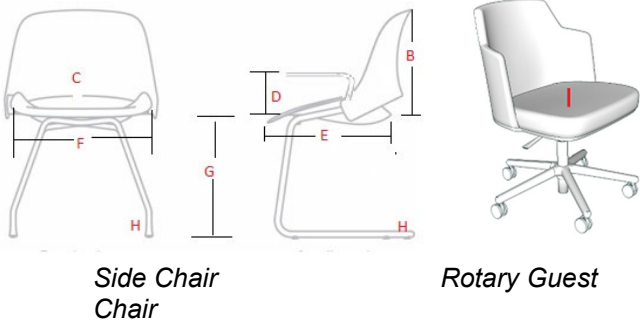
Table - A.1



CHAIR TYPE: S1	Quantity Required: <u>4</u>
<input checked="" type="checkbox"/> SIDE CHAIR <input type="checkbox"/> ROTARY GUEST CHAIR	
Instructions to Users: <ul style="list-style-type: none"> Choose the attributes (<input type="checkbox"/> → <input checked="" type="checkbox"/>) that must be included for your requirement. Use 1 builder per type of chair. Note: if more than 1 “<input checked="" type="checkbox"/>” is chosen then all attributes will be considered acceptable for the requirement. 	

Criteria	Requirement Choices	Annex A reference:
<i>Environmental</i>	<input checked="" type="checkbox"/> All products meet a minimum of ANSI/BIFMA e3 minimum Level® 2 <input checked="" type="checkbox"/> All plastic components are recyclable at the end of their life.	1.2.8
B <i>Backrest Height</i>	<input checked="" type="checkbox"/> Standard as fixed based on chair type chosen above	2.3.7 2.3.8
C <i>Lumbar Support</i>	<input type="checkbox"/> Yes (fixed position) <input type="checkbox"/> No <input checked="" type="checkbox"/> No preference	2.3.6
D <i>Armrests</i>	<input checked="" type="checkbox"/> Yes (fixed position) → <i>Style:</i> <input type="checkbox"/> Cantilever <input type="checkbox"/> T-arm <input type="checkbox"/> Closed or Loop <input checked="" type="checkbox"/> No preference <input type="checkbox"/> No	2.3.10
E & F <i>Seat Width & Depth</i>	<input checked="" type="checkbox"/> Standard as fixed	2.3.2
G <i>Seat Height</i>	<input checked="" type="checkbox"/> Fixed (side chair OR rotary guest chair) <input type="checkbox"/> Height Adjustable (rotary guest chair only)	2.3.3
H <i>Leg Support</i>	Side Chair: <input checked="" type="checkbox"/> 4 Post Legs <input type="checkbox"/> Cantilever <input type="checkbox"/> Sled → <input checked="" type="checkbox"/> Glides <input type="checkbox"/> Casters Rotary Guest Chair: <input type="checkbox"/> 4 star base <input type="checkbox"/> 5 star base → <input type="checkbox"/> Glides <input type="checkbox"/> Casters	2.3.11
I <i>Backrest-to-seat Angle</i>	<input checked="" type="checkbox"/> Fixed angle	2.3.9
	<input type="checkbox"/> Fixed <input type="checkbox"/> Adjustable with tilt mechanism	2.3.4
<i>Stacking</i>	<input type="checkbox"/> Stacking (vertical) <input type="checkbox"/> Nesting (horizontal) <input type="checkbox"/> Non-stacking <input checked="" type="checkbox"/> No preference	2.3.12
<i>Finishes</i>	Backrest: <input checked="" type="checkbox"/> Upholstery <input type="checkbox"/> Wood <input type="checkbox"/> Plastic <input type="checkbox"/> Mesh <input type="checkbox"/> Other:	2.3.13
	Seat: <input checked="" type="checkbox"/> Upholstery <input type="checkbox"/> Wood <input type="checkbox"/> Plastic <input type="checkbox"/> Mesh <input type="checkbox"/> Other: (specify)	
	Base Frame: <input type="checkbox"/> Plastic <input type="checkbox"/> Wood <input checked="" type="checkbox"/> Metal (ie. wired)	
<i>Additional Criteria</i>	➤ Additional Criteria must be generic, not Supplier specific and cannot contradict the RFSA Technical Specifications @ Annex A. ➤ Specify here if a storage trolley must also be provided with product. ➤ May also request additional information such as photo representations of products being offered or inclusion of specific colour tones or listing of finish offerings available to be provided prior to contract award.	

Table : A.2



CHAIR TYPE: S2	Quantity Required: <u>2</u>
<input checked="" type="checkbox"/> SIDE CHAIR <input type="checkbox"/> ROTARY GUEST CHAIR	
Instructions to Users: <ul style="list-style-type: none"> Choose the attributes (<input type="checkbox"/> → <input checked="" type="checkbox"/>) that must be included for your requirement. Use 1 builder per type of chair. Note: if more than 1 “<input checked="" type="checkbox"/>” is chosen then all attributes will be considered acceptable for the requirement. 	

Criteria	Requirement Choices	Annex A reference:
<i>Environmental</i>	<input checked="" type="checkbox"/> All products meet a minimum of ANSI/BIFMA e3 minimum Level® 2 <input checked="" type="checkbox"/> All plastic components are recyclable at the end of their life.	1.2.8
B <i>Backrest Height</i>	<input checked="" type="checkbox"/> Standard as fixed based on chair type chosen above	2.3.7 2.3.8
C <i>Lumbar Support</i>	<input type="checkbox"/> Yes (fixed position) <input checked="" type="checkbox"/> No <input type="checkbox"/> No preference	2.3.6
D <i>Armrests</i>	<input checked="" type="checkbox"/> Yes (fixed position) → <i>Style:</i> <input type="checkbox"/> Cantilever <input type="checkbox"/> T-arm <input type="checkbox"/> Closed or Loop <input checked="" type="checkbox"/> No preference <input type="checkbox"/> No	2.3.10
E & F <i>Seat Width & Depth</i>	<input checked="" type="checkbox"/> Standard as fixed	2.3.2
G <i>Seat Height</i>	<input checked="" type="checkbox"/> Fixed (side chair OR rotary guest chair) <input type="checkbox"/> Height Adjustable (rotary guest chair only)	2.3.3
H <i>Leg Support</i>	Side Chair: <input checked="" type="checkbox"/> 4 Post Legs <input type="checkbox"/> Cantilever <input type="checkbox"/> Sled → <input checked="" type="checkbox"/> Glides <input type="checkbox"/> Casters Rotary Guest Chair: <input type="checkbox"/> 4 star base <input type="checkbox"/> 5 star base → <input type="checkbox"/> Glides <input type="checkbox"/> Casters	2.3.11
I <i>Backrest-to-seat Angle</i>	<input checked="" type="checkbox"/> Fixed angle	2.3.9
I <i>Seat Angle (rotary guest chair only)</i>	<input type="checkbox"/> Fixed <input type="checkbox"/> Adjustable with tilt mechanism	2.3.4
<i>Stacking</i>	<input type="checkbox"/> Stacking (vertical) <input type="checkbox"/> Nesting (horizontal) <input type="checkbox"/> Non-stacking <input checked="" type="checkbox"/> No preference	2.3.12
<i>Finishes</i>	Backrest: <input checked="" type="checkbox"/> Upholstery <input type="checkbox"/> Wood <input type="checkbox"/> Plastic <input type="checkbox"/> Mesh <input type="checkbox"/> Other: Seat: <input checked="" type="checkbox"/> Upholstery <input type="checkbox"/> Wood <input type="checkbox"/> Plastic <input type="checkbox"/> Mesh <input type="checkbox"/> Other: Base Frame: <input type="checkbox"/> Plastic <input type="checkbox"/> Wood <input checked="" type="checkbox"/> Metal (ie. wired)	2.3.13
<i>Additional Criteria</i>	➤ Additional Criteria must be generic, not Supplier specific and cannot contradict the RFSA Technical Specifications @ Annex A. ➤ Specify here if a storage trolley must also be provided with product. ➤ May also request additional information such as photo representations of products being offered or inclusion of specific colour tones or listing of finish offerings available to be provided prior to contract award.	



CHAIR TYPE: S3	Quantity Required: <u>20</u>
<input checked="" type="checkbox"/> ROTARY CHAIR <input type="checkbox"/> ROTARY STOOL	
Instructions to Users: <ul style="list-style-type: none"> Choose the attributes (<input type="checkbox"/> → <input checked="" type="checkbox"/>) that must be included for your requirement. Use 1 builder per type of chair. Note: if more than 1 “<input checked="" type="checkbox"/>” is chosen then all attributes will be considered acceptable for the requirement. 	

Criteria	Requirement Choices	Annex A reference:	
<i>Environmental</i>	<input checked="" type="checkbox"/> All products meet a minimum of ANSI/BIFMA e3 minimum Level® 2 <input checked="" type="checkbox"/> All plastic components are recyclable at the end of their life.	1.2.8	
<i>Weight Capacity</i>	<input checked="" type="checkbox"/> Standard (up to 275 lbs) <input type="checkbox"/> Large-occupant (275+ lbs up to 400 lbs)	1.5.7	
<i>Usage</i>	<input checked="" type="checkbox"/> Single shift <input type="checkbox"/> 24/7 (3 continuous working shifts, 7 days a week)	1.5.2 1.7.1.3	
A <i>Headrest</i>	<input checked="" type="checkbox"/> No <input type="checkbox"/> Yes (adjustable) <input type="checkbox"/> No preference	2.1.13	
B <i>Backrest Height</i>	<input checked="" type="checkbox"/> Standard <input type="checkbox"/> High <input type="checkbox"/> No preference	2.1.7	
C <i>Lumbar Support</i>	<input type="checkbox"/> Fixed position <input type="checkbox"/> Adjustable (by user) <input type="checkbox"/> Self-Adjusting mechanism <input checked="" type="checkbox"/> No preference *Tilt back required.	2.1.6	
D <i>Armrests</i>	<input type="checkbox"/> Adjustable <input type="checkbox"/> Height Adjustment <input type="checkbox"/> Lateral Adjustment <input type="checkbox"/> Fully Articulating	2.1.10	
	Armrest Style: <input type="checkbox"/> T-arm (DD) → <input type="checkbox"/> Fixed <input type="checkbox"/> Adjustable <input type="checkbox"/> Cantilever		
	<input checked="" type="checkbox"/> Fixed → <input type="checkbox"/> T-arm <input type="checkbox"/> Cantilever <input type="checkbox"/> Loop <input checked="" type="checkbox"/> No preference		
E <i>Seat Depth</i>	<input type="checkbox"/> Adjustable	2.1.2	
	<input checked="" type="checkbox"/> Fixed position <input type="checkbox"/> Shallow <input checked="" type="checkbox"/> Medium <input type="checkbox"/> Deep		
F <i>Seat Width</i>	<input checked="" type="checkbox"/> Standard based on weight capacity chosen above	2.1.3 2.2.2	
G <i>Seat Height</i>	<i>Rotary Chair</i> <input checked="" type="checkbox"/> Adjustable – standard range <input type="checkbox"/> Adjustable - low range	2.1.4	
	<i>Rotary Stool</i> Adjustable		
H <i>Tilt Mechanism</i>	<i>Rotary Chair</i> <input type="checkbox"/> Multifunction <input type="checkbox"/> Synchro Tilt <input type="checkbox"/> Unison Tilt <input type="checkbox"/> Weight Sensitive <input checked="" type="checkbox"/> No preference	1.5.11 2.1.8	
	<i>Rotary Stool</i> <input type="checkbox"/> Multifunction <input type="checkbox"/> Synchro Tilt <input type="checkbox"/> Unison Tilt <input type="checkbox"/> Weight Sensitive <input type="checkbox"/> Fixed Back <input type="checkbox"/> No preference		
I <i>Seat Angle and Backrest-to-seat Angle</i>	Adjustable and lockable (not applicable to weight sensitive tilt mechanisms)	2.1.5 2.1.9	
J <i>Casters</i>	for use on: <input type="checkbox"/> carpet <input checked="" type="checkbox"/> hard surfaces	2.1.11	
L <i>Footrest (rotary stools only)</i>	<input type="checkbox"/> integrated fixed height <input type="checkbox"/> adjustable height	2.1.12	
<i>Finishes</i>	Backrest: <input type="checkbox"/> Upholstery <input checked="" type="checkbox"/> Non-upholstery (ie. flexible plastic) <input type="checkbox"/> Mesh Material	2.1.15	
	Seat: <input checked="" type="checkbox"/> Upholstery <input type="checkbox"/> Non-upholstery (ie. flexible plastic) <input type="checkbox"/> Mesh Material		
	Base Frame: <input checked="" type="checkbox"/> Metal <input type="checkbox"/> Plastic		
<i>Labelling and Instructions</i>	<input checked="" type="checkbox"/> All chairs must be provided with labelling and instructions	1.3.2	
<i>Ergonomic Assessments and Accessibility</i>	If applicable, please specify further details (that are within the scope of the specifications) into the Additional Criteria below.	1.6.3	
<i>Additional Criteria</i>	<ul style="list-style-type: none"> ➤ Additional Criteria must be generic, not Supplier specific and cannot contradict the RFSA Technical Specifications @ Annex A. ➤ May also request additional information such as photo representations of products being offered or inclusion of specific colour tones or listing of finish offerings available to be provided prior to contract award. 		

Table : A.4



CHAIR TYPE: S4	Quantity Required: <u>24</u>
<input checked="" type="checkbox"/> ROTARY CHAIR <input type="checkbox"/> ROTARY STOOL	
Instructions to Users: <ul style="list-style-type: none"> Choose the attributes (<input type="checkbox"/> → <input checked="" type="checkbox"/>) that must be included for your requirement. Use 1 builder per type of chair. Note: if more than 1 “<input checked="" type="checkbox"/>” is chosen then all attributes will be considered acceptable for the requirement. 	

Criteria	Requirement Choices	Annex A reference:						
<i>Environmental</i>	<input checked="" type="checkbox"/> All products meet a minimum of ANSI/BIFMA e3 minimum Level® 2 <input checked="" type="checkbox"/> All plastic components are recyclable at the end of their life.	1.2.8						
<i>Weight Capacity</i>	<input checked="" type="checkbox"/> Standard (up to 275 lbs) <input type="checkbox"/> Large-occupant (275+ lbs up to 400 lbs)	1.5.7						
<i>Usage</i>	<input checked="" type="checkbox"/> Single shift <input type="checkbox"/> 24/7 (3 continuous working shifts, 7 days a week)	1.5.2 1.7.1.3						
A <i>Headrest</i>	<input checked="" type="checkbox"/> No <input type="checkbox"/> Yes (adjustable) <input type="checkbox"/> No preference	2.1.13						
B <i>Backrest Height</i>	<input checked="" type="checkbox"/> Standard <input type="checkbox"/> High <input type="checkbox"/> No preference	2.1.7						
C <i>Lumbar Support</i>	<input type="checkbox"/> Fixed position <input checked="" type="checkbox"/> Adjustable (by user) <input checked="" type="checkbox"/> Self-Adjusting mechanism <input type="checkbox"/> No preference	2.1.6						
D <i>Armrests</i>	<table border="0" style="width: 100%;"> <tr> <td style="width: 30%;"><input checked="" type="checkbox"/> Adjustable</td> <td style="width: 30%;"> <input checked="" type="checkbox"/> Height Adjustment <input checked="" type="checkbox"/> Lateral Adjustment <input type="checkbox"/> Fully Articulating </td> <td style="width: 40%;"> Armrest Style: <input checked="" type="checkbox"/> T-arm (DD) → <input type="checkbox"/> Fixed <input checked="" type="checkbox"/> Adjustable <input type="checkbox"/> Cantilever </td> </tr> <tr> <td><input type="checkbox"/> Fixed →</td> <td></td> <td> <input type="checkbox"/> T-arm <input type="checkbox"/> Cantilever <input type="checkbox"/> Loop <input type="checkbox"/> No preference </td> </tr> </table>	<input checked="" type="checkbox"/> Adjustable	<input checked="" type="checkbox"/> Height Adjustment <input checked="" type="checkbox"/> Lateral Adjustment <input type="checkbox"/> Fully Articulating	Armrest Style: <input checked="" type="checkbox"/> T-arm (DD) → <input type="checkbox"/> Fixed <input checked="" type="checkbox"/> Adjustable <input type="checkbox"/> Cantilever	<input type="checkbox"/> Fixed →		<input type="checkbox"/> T-arm <input type="checkbox"/> Cantilever <input type="checkbox"/> Loop <input type="checkbox"/> No preference	2.1.10
<input checked="" type="checkbox"/> Adjustable	<input checked="" type="checkbox"/> Height Adjustment <input checked="" type="checkbox"/> Lateral Adjustment <input type="checkbox"/> Fully Articulating	Armrest Style: <input checked="" type="checkbox"/> T-arm (DD) → <input type="checkbox"/> Fixed <input checked="" type="checkbox"/> Adjustable <input type="checkbox"/> Cantilever						
<input type="checkbox"/> Fixed →		<input type="checkbox"/> T-arm <input type="checkbox"/> Cantilever <input type="checkbox"/> Loop <input type="checkbox"/> No preference						
E <i>Seat Depth</i>	<input checked="" type="checkbox"/> Adjustable <input type="checkbox"/> Fixed position <input type="checkbox"/> Shallow <input checked="" type="checkbox"/> Medium <input type="checkbox"/> Deep	2.1.2						
F <i>Seat Width</i>	<input checked="" type="checkbox"/> Standard based on weight capacity chosen above	2.1.3 2.2.2						
G <i>Seat Height</i>	<table border="0" style="width: 100%;"> <tr> <td style="width: 30%;"><i>Rotary Chair</i></td> <td> <input checked="" type="checkbox"/> Adjustable – standard range <input type="checkbox"/> Adjustable - low range </td> </tr> <tr> <td><i>Rotary Stool</i></td> <td>Adjustable</td> </tr> </table>	<i>Rotary Chair</i>	<input checked="" type="checkbox"/> Adjustable – standard range <input type="checkbox"/> Adjustable - low range	<i>Rotary Stool</i>	Adjustable	2.1.4		
<i>Rotary Chair</i>	<input checked="" type="checkbox"/> Adjustable – standard range <input type="checkbox"/> Adjustable - low range							
<i>Rotary Stool</i>	Adjustable							
H <i>Tilt Mechanism</i>	<table border="0" style="width: 100%;"> <tr> <td style="width: 30%;"><i>Rotary Chair</i></td> <td> <input type="checkbox"/> Multifunction <input type="checkbox"/> Synchro Tilt <input type="checkbox"/> Unison Tilt <input type="checkbox"/> Weight Sensitive <input checked="" type="checkbox"/> No preference </td> </tr> <tr> <td><i>Rotary Stool</i></td> <td> <input type="checkbox"/> Multifunction <input type="checkbox"/> Synchro Tilt <input type="checkbox"/> Unison Tilt <input type="checkbox"/> Weight Sensitive <input type="checkbox"/> Fixed Back <input type="checkbox"/> No preference </td> </tr> </table>	<i>Rotary Chair</i>	<input type="checkbox"/> Multifunction <input type="checkbox"/> Synchro Tilt <input type="checkbox"/> Unison Tilt <input type="checkbox"/> Weight Sensitive <input checked="" type="checkbox"/> No preference	<i>Rotary Stool</i>	<input type="checkbox"/> Multifunction <input type="checkbox"/> Synchro Tilt <input type="checkbox"/> Unison Tilt <input type="checkbox"/> Weight Sensitive <input type="checkbox"/> Fixed Back <input type="checkbox"/> No preference	1.5.11 2.1.8		
<i>Rotary Chair</i>	<input type="checkbox"/> Multifunction <input type="checkbox"/> Synchro Tilt <input type="checkbox"/> Unison Tilt <input type="checkbox"/> Weight Sensitive <input checked="" type="checkbox"/> No preference							
<i>Rotary Stool</i>	<input type="checkbox"/> Multifunction <input type="checkbox"/> Synchro Tilt <input type="checkbox"/> Unison Tilt <input type="checkbox"/> Weight Sensitive <input type="checkbox"/> Fixed Back <input type="checkbox"/> No preference							
I <i>Seat Angle and Backrest-to-seat Angle</i>	Adjustable and lockable (not applicable to weight sensitive tilt mechanisms)	2.1.5 2.1.9						
J <i>Casters</i>	for use on: <input type="checkbox"/> carpet <input checked="" type="checkbox"/> hard surfaces	2.1.11						
L <i>Footrest (rotary stools only)</i>	<input type="checkbox"/> integrated fixed height <input type="checkbox"/> adjustable height	2.1.12						
<i>Finishes</i>	<table border="0" style="width: 100%;"> <tr> <td style="width: 30%;">Backrest:</td> <td> <input checked="" type="checkbox"/> Upholstery <input type="checkbox"/> Non-upholstery (ie. flexible plastic) <input checked="" type="checkbox"/> Mesh Material </td> </tr> <tr> <td>Seat:</td> <td> <input checked="" type="checkbox"/> Upholstery <input type="checkbox"/> Non-upholstery (ie. flexible plastic) <input checked="" type="checkbox"/> Mesh Material </td> </tr> <tr> <td>Base Frame:</td> <td> <input checked="" type="checkbox"/> Metal <input type="checkbox"/> Plastic </td> </tr> </table>	Backrest:	<input checked="" type="checkbox"/> Upholstery <input type="checkbox"/> Non-upholstery (ie. flexible plastic) <input checked="" type="checkbox"/> Mesh Material	Seat:	<input checked="" type="checkbox"/> Upholstery <input type="checkbox"/> Non-upholstery (ie. flexible plastic) <input checked="" type="checkbox"/> Mesh Material	Base Frame:	<input checked="" type="checkbox"/> Metal <input type="checkbox"/> Plastic	2.1.15
Backrest:	<input checked="" type="checkbox"/> Upholstery <input type="checkbox"/> Non-upholstery (ie. flexible plastic) <input checked="" type="checkbox"/> Mesh Material							
Seat:	<input checked="" type="checkbox"/> Upholstery <input type="checkbox"/> Non-upholstery (ie. flexible plastic) <input checked="" type="checkbox"/> Mesh Material							
Base Frame:	<input checked="" type="checkbox"/> Metal <input type="checkbox"/> Plastic							
<i>Labelling and Instructions</i>	<input checked="" type="checkbox"/> All chairs must be provided with labelling and instructions	1.3.2						
<i>Ergonomic Assessments and Accessibility</i>	If applicable, please specify further details (that are within the scope of the specifications) into the Additional Criteria below.	1.6.3						
<i>Additional Criteria</i>	<ul style="list-style-type: none"> ➤ Additional Criteria must be generic, not Supplier specific and cannot contradict the RFSA Technical Specifications @ Annex A. ➤ May also request additional information such as photo representations of products being offered or inclusion of specific colour tones or listing of finish offerings available to be provided prior to contract award. 							

ANNEX B BASIS OF PAYMENT

1. Procurement Strategy

Subcategory Procurement

All-inclusive Procurement

2. Product and Pricing

INSTRUCTIONS TO BIDDERS: Bidders are to complete Sections B of the tables identified by the IU in this article. **Bidders must provide a complete product offering for each Subcategory or All-inclusive Procurement.** In a resulting contract, the term “Bid” means the Supplier’s commitment, the term “Bidder” means “Contractor”.

BIDDER TO COMPLETE SECTION B – SUPPLIER’S BID IN ITS ENTIRETY.

SUB-CATEGORY

Table 1: Summary of Chairs per Subcategory No. 1 & 2

Section A - IU REQUIREMENT			Section B – SUPPLIER’S BID		
Table	Title	Qty	Supplier Part Number	Firm Unit Price \$	Extended Total [Qty x Price] \$
A1	Side Chair (Annex – A : S1)	4		\$	\$
A2	Side Chair (Annex A – S2)	2		\$	\$
A3	Rotary Chair (Annex A – S3)	20		\$	\$
A4	Rotary Chair (Annex A - S4)	24		\$	\$
	Subtotal Products:				\$

Table 2 – Delivery

(Standard Lead time is between 6-10 weeks for furniture delivery and installation)

Section A - IU REQUIREMENT				Section B – SUPPLIER'S BID	
Product Items# from Table 1	Location	Desired Date** (YYYY-MM-DD)	Desired Time: Normal Business Hours Or Outside Normal Business Hours *	Supplier will supply and deliver as per below**	Firm Lot Price \$
A1, A2, A3 and A4	RCMP Kindersley Detachment, 610-9 th Avenue, Kindersley, SK. SOL 0S0	2024-01-15	Normal Business Hours	10 : weeks <i>Standard Lead time is between 6-10 weeks for furniture delivery and installation.</i>	\$
*Normal Business Hours 8:00 – 17:00, as per SA, Annex A, article 5				Delivery Total:	\$
**The Project Authority (PA) will provide the supplier the authority to proceed prior to the finalized delivery date taking into consideration the delivery time provided by the supplier. Canada will not be responsible if the supplier chooses to proceed without the PA authorization.					

Table 7 – Standard Finishes and Canada’s Facilities to Accommodate the Delivery and Certifications

1.	Standard Finishes	
1.1	<p>IU is to consult the Supplier’s Website identified in Part 6A of the SA to view the available finishes.</p> <p>Within ten business days of the contract award, the Project Authority will provide the Contractor with a written notice of Canada’s finish choices for each of the product(s) in Annex A.</p> <p>The Contractor will deliver the products corresponding to Canada’s choice of specific finishes(s). No additional charge will be applied to Canada.</p>	
2.	Canada’s Facilities to Accommodate the Delivery	
	<p><i>The Supplier’s employees and subcontractors requiring access to the site must adhere to the health and safety plans established for the site, in addition to any laws in effect in the jurisdiction where the work is being performed.</i></p> <p><i>During the period of the contract, a representative of Canada or a service provider(s) under contract with the Government of Canada may request the list of employees and subcontractors requiring access to the site to perform the work and their security statuses. Information must be provided in the timeframe prescribed in order to ensure that the supply, delivery and installation of the furniture aligns with the master schedule.</i></p>	
2.1	Loading Dock/Location	
A	Location	RCMP Kindersley Detachment, 610 – 9 th Avenue, Kindersley, SK. S0L 0S0
B	Dock	N/A
C	Lift	N /A
D	Door	7’6 to 10 Ft.
E	Freight Elevator	N/A - One Floor Building.
F	Other (specify, if any)	N/A
3.	Continuance of Certifications	
	<p>The Bidder certifies that by submitting a bid in response to the RFB, the Bidder, and any of the Bidder’s members if the Bidder is a Joint Venture, continues to comply with all of the following certifications listed in Parts 6A and 6B of the Bidder’s SA for Work Spaces.</p> <p>Canada may request copies of environmental certification(s) prior to contract award within a time period specified by the Identified User.</p>	
3.1	Integrity Provisions	
3.2	Federal Contractor’s Program for Employment Equity	
3.4	Product Conformance	
3.5	Price Certification (In accordance with the SA, Part 6B)	

Table 8 - Bid Evaluation and Contract Total
(Canada may complete if not completed by the Bidder)

1	Firm Product Total (Table 1)	\$
2	Firm Delivery Total (Table 2)	\$
3	Firm Installation Total (Table 3)	\$
4	Optional Product Total (Table 4) <i>(Applicable if Option is exercised)</i>	\$
5	Optional Delivery Total (Table 5) <i>(Applicable if Option is exercised)</i>	\$
6	Optional Installation Total (Table 6) <i>(Applicable if Option is exercised)</i>	\$
7	Hardware Total as per article 1.5 of Annex A-1 of SA <i>(if Applicable)</i>	\$
8	Total Evaluated (Bid) Price* (1 + 2 + 3 + 4 + 5 + 6 + 7) <i>[to be removed at contract award]</i>	\$
9	Contract Price (1 + 2 + 3 +): <i>[applicable at contract award only]</i>	\$
10	Applicable Tax(es): <i>[applicable at contract award only]</i>	\$
11	Total Estimated Cost (9 + 10): <i>[applicable at contract award only]</i>	\$

* Applicable taxes extra.

Table 9 – Bidder’s Authorized Representative

1.	Bidder's Authorized Representative for the Bid and the Contract	
	Name:	Telephone:
		E-Mail:
		PBN:
		Ariba #: